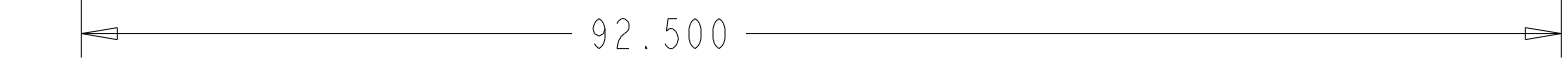
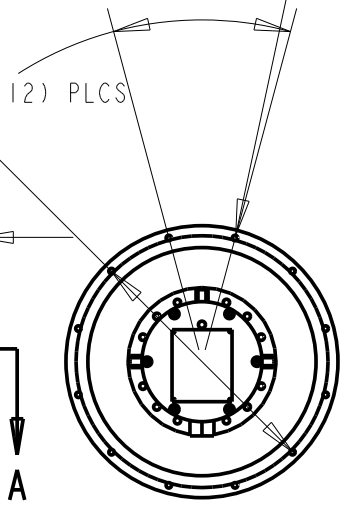
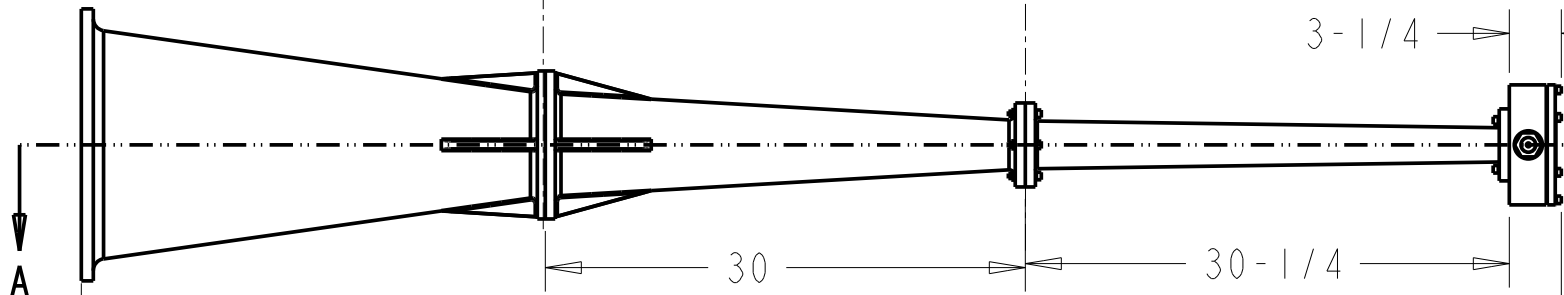
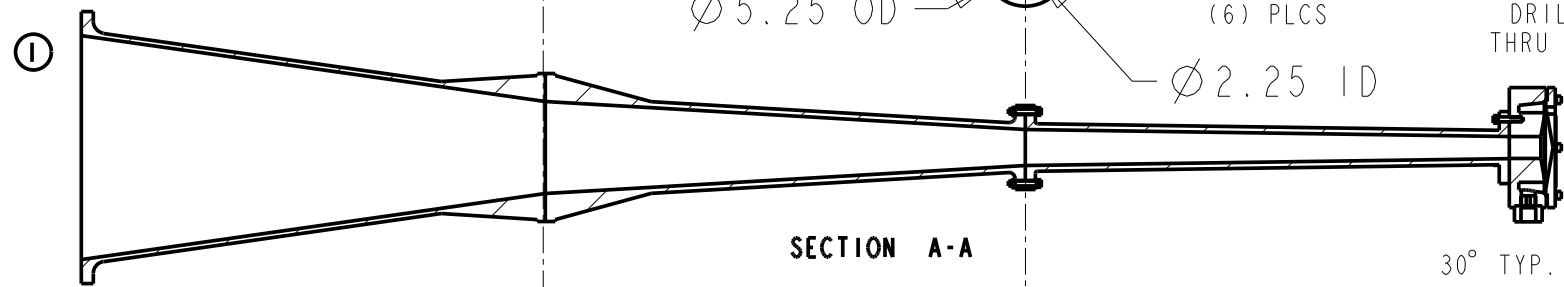
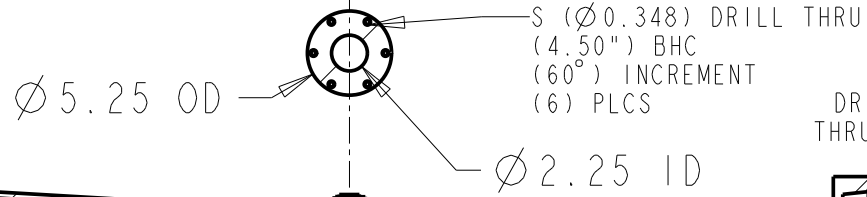
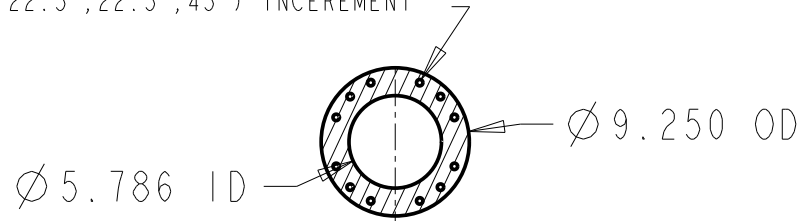


REVISIONS

NO.	DESCRIPTION	DATE	BY
①	ADDED FLANGED 'C' SECTION	9/12/00	JFL

($\varnothing 0.348$) DRILL THRU
 (4) x ($22.5^\circ, 22.5^\circ, 22.5^\circ, 45^\circ$) INCREMENT
 (8.00") BHC
 (12) PLCS.



END VIEW

CONTROL CONCEPTS, INC
 100 PARK ST, BOX 386
 PUTNAM, CT, USA

THIS DRAWING AND THE PARTS THEREOF ARE THE PROPERTY OF CONTROL CONCEPTS INC. AND MAY NOT BE REPRODUCED OR USED WITHOUT WRITTEN CONSENT!

TOLERANCE UNLESS AS NOTED:

X.X	± 0.1
X.XX	± 0.01
X.XXX	± 0.005
ANG.	± 0.5
FRAC.	$\pm 1/XX$

SIZE	DATE	DESCRIPTION	SCALE
A	5/19/00	ACL 9475 ACOUSTIC HORN	1/12
MATERIAL	PART NO.	DRAWING NO.	
VARIOUS	ACL9475	A0500-200-0078	