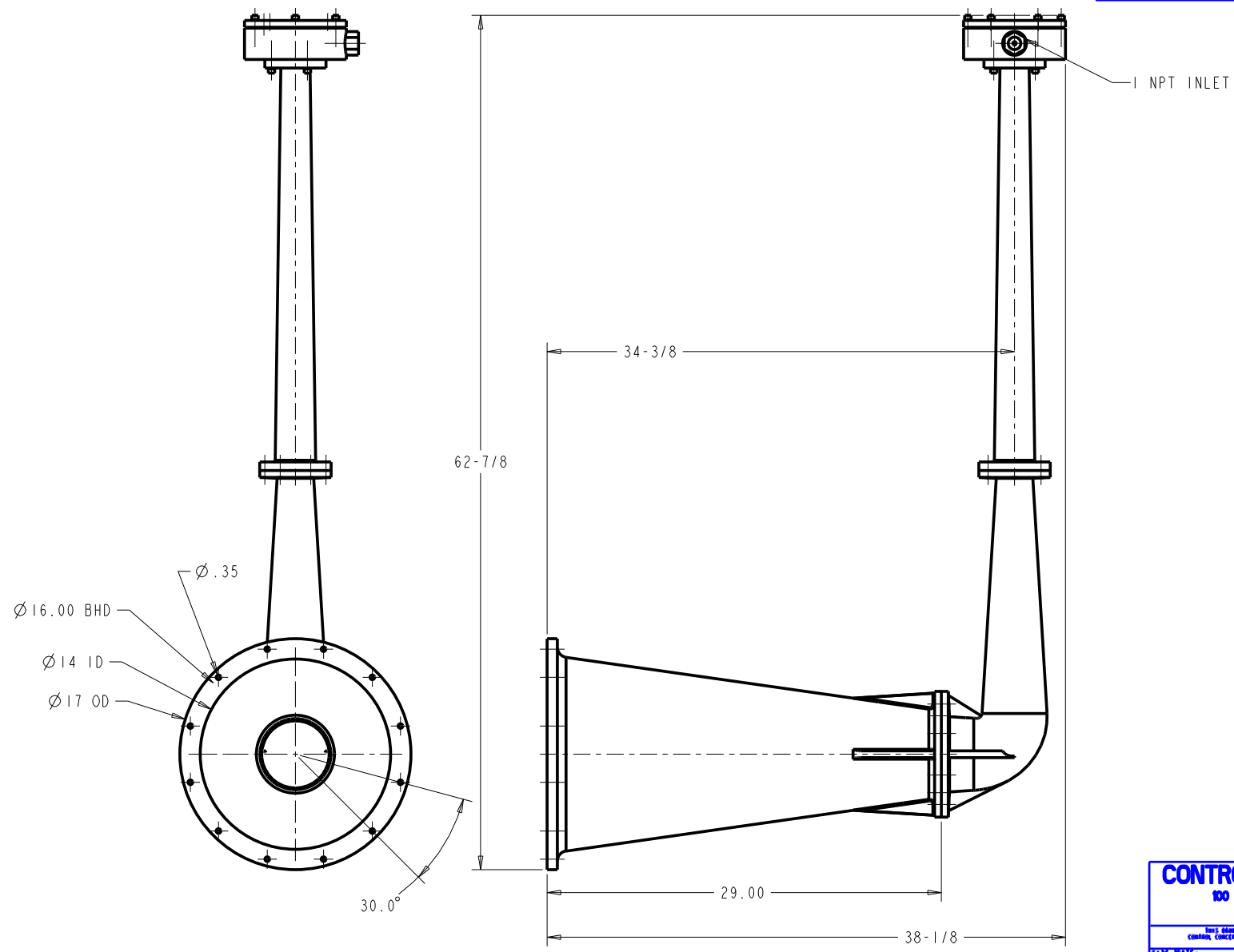


| REVISIONS: |             |      |    |
|------------|-------------|------|----|
| NO         | DESCRIPTION | DATE | BY |
|            |             |      |    |
|            |             |      |    |
|            |             |      |    |



**CONTROL CONCEPTS, INC**  
 100 PARK ST P.O. BOX 386  
 PUTNAM, CT USA

|  |               |                                      |             |
|--|---------------|--------------------------------------|-------------|
| <small>THIS DRAWING AND THE DATA THEREON ARE THE PROPERTY OF CONTROL CONCEPTS, INC. AND MAY NOT BE REPRODUCED OR USED WITHOUT WRITTEN CONSENT.</small> |               |                                      |             |
| SIZE: <b>C</b>   | DATE: 4/21/03 | DESCRIPTION: ACL 53100 ACOUSTIC HORN | SCALE: 3/16 |
| MATERIAL:  | PART NO.:     | DRAWING NO: C0403-200-0294           |             |

DIMENSIONS UNLESS AS NOTED:  
 1. DIM. IN INCHES  
 2. DIM. IN MILLIMETERS  
 3. DIM. IN FEET  
 4. DIM. IN METERS  
 5. DIM. IN METERS  
 6. DIM. IN METERS