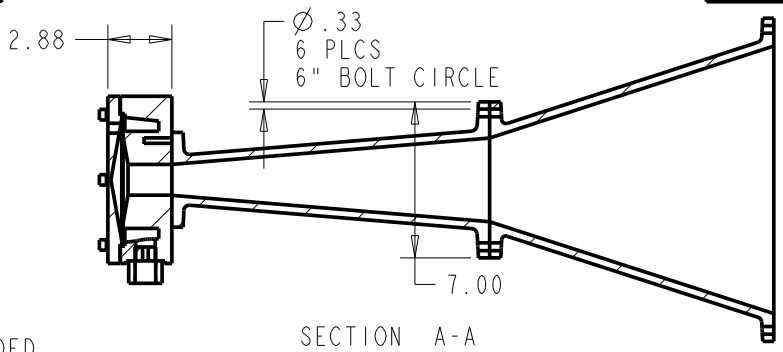
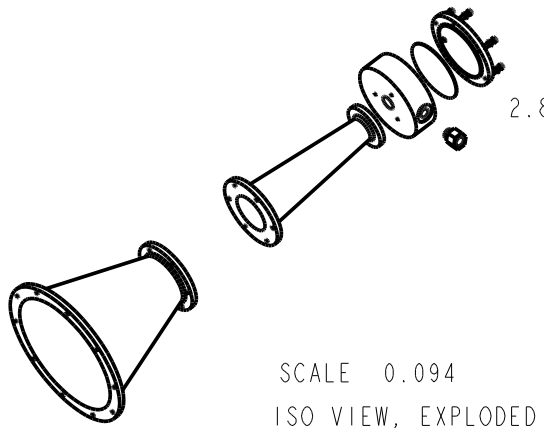
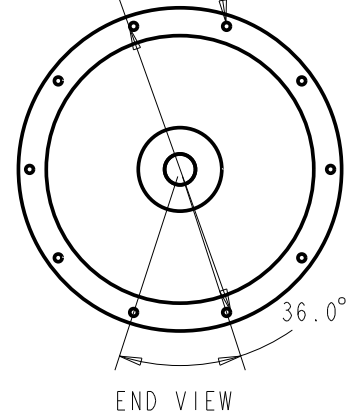
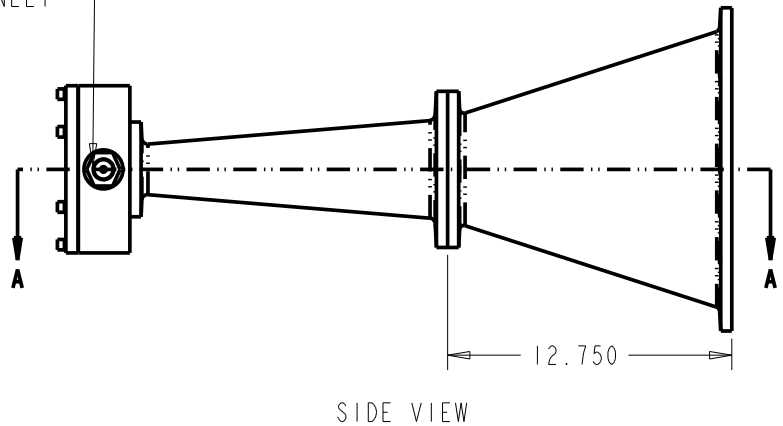
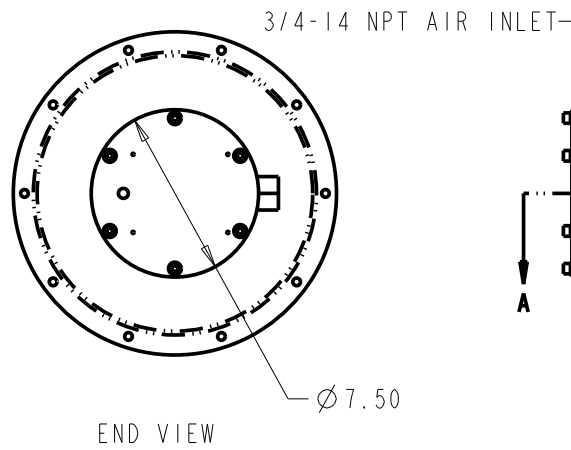


REV.	DESCRIPTION	DATE	BY
A	CHANGED DWG NO.	12/8/00	JFL
B	ADDED BOLT HOLE CIRCLE ON BELL END	4/25/01	JFL



S DRILL Ø .348
(10) PLCS 13.5\"/>

Ø 13.50
BHØ



CONTROL CONCEPTS, INC
100 PARK ST.
PUTNAM, CT
06260

THIS DRAWING, ITS PRINTS AND ALL PARTS THEREOF ARE AND SHALL REMAIN THE PROPERTY OF CONTROL CONCEPTS, INC. AND MAY NOT BE REPRODUCED OR USED FOR ANY PURPOSE WITHOUT WRITTEN CONSENT.

TOLERANCES EXCEPT AS NOTED: STRUCTURAL ±.1/16" MACHINE: - FRACTIONAL ±1/16" ; DECIMAL ± 0.005" ANGULAR ±1/2°	SIZE B	DATE 1/20/00	DESCRIPTION 230 Hz ACOUSTICLEAN HORN	SCALE 3"=16"
	MATERIAL DUCTILE Fe	PART #	DRAWING # ACL 34230	PROJECT # B0100-200-0046