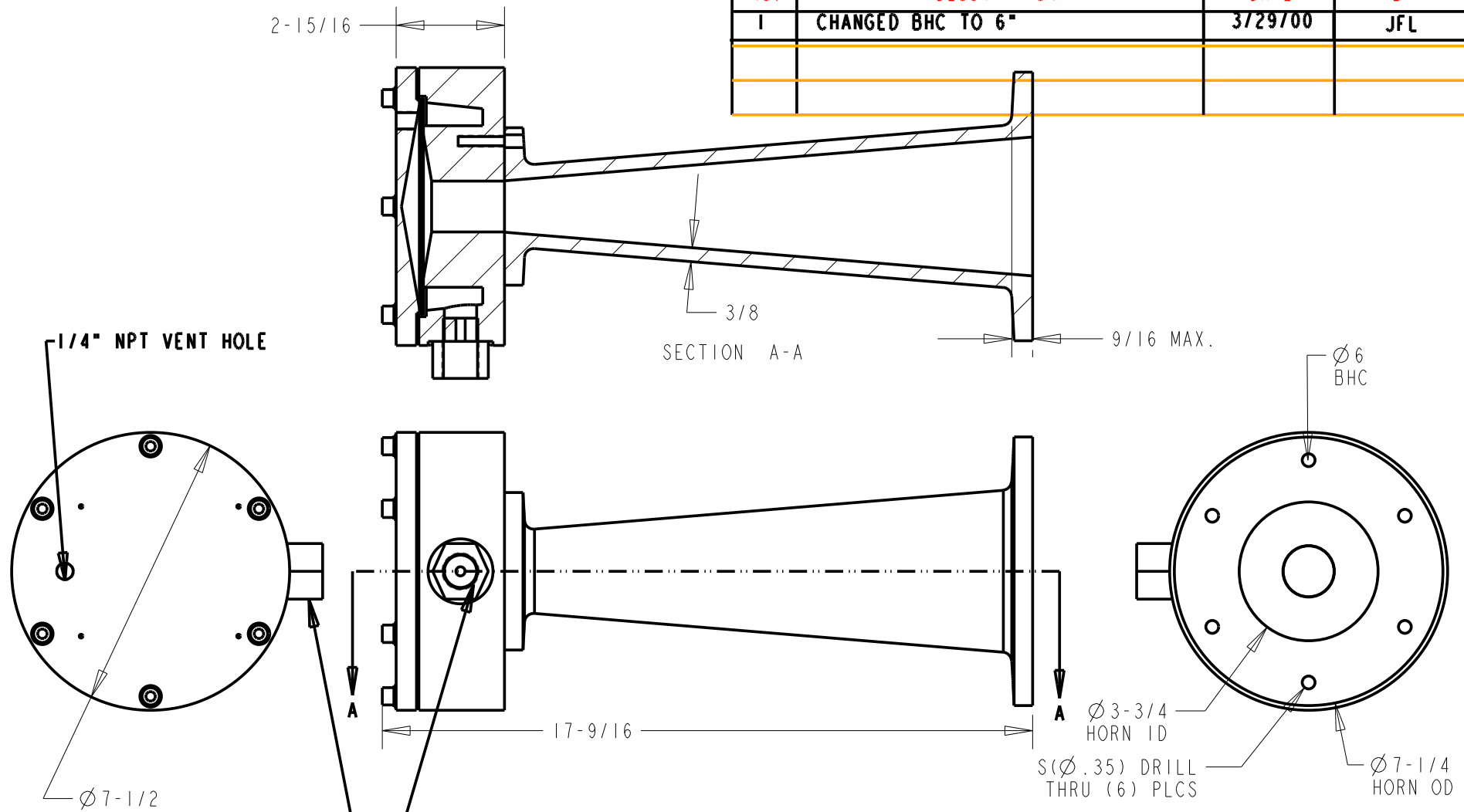


REVISIONS

NO.	DESCRIPTION	DATE	BY
1	CHANGED BHC TO 6"	3/29/00	JFL



3/4 NPT AIR INLET FITTING

CONTROL CONCEPTS, INC100 PARK ST, BOX 386
PUTNAM, CT, USATHIS DRAWING AND THE PARTS THEREOF ARE THE PROPERTY OF CONTROL
CONCEPTS INC. AND MAY NOT BE REPRODUCED OR USED WITHOUT WRITTEN
CONSENT!

TOLERANCE UNLESS AS NOTED:

X.X ±0.1
X.XX ±0.01
X.XXX ±0.005
ANG. ±0.5
FRAC: ± 1/XX

SIZE	DATE	DESCRIPTION	SCALE
A	3/29/00	ACL 17220 HORN	1/4
MATERIAL	PART NO.	DRAWING NO.	
	ACL17220	A0300-200-0019	